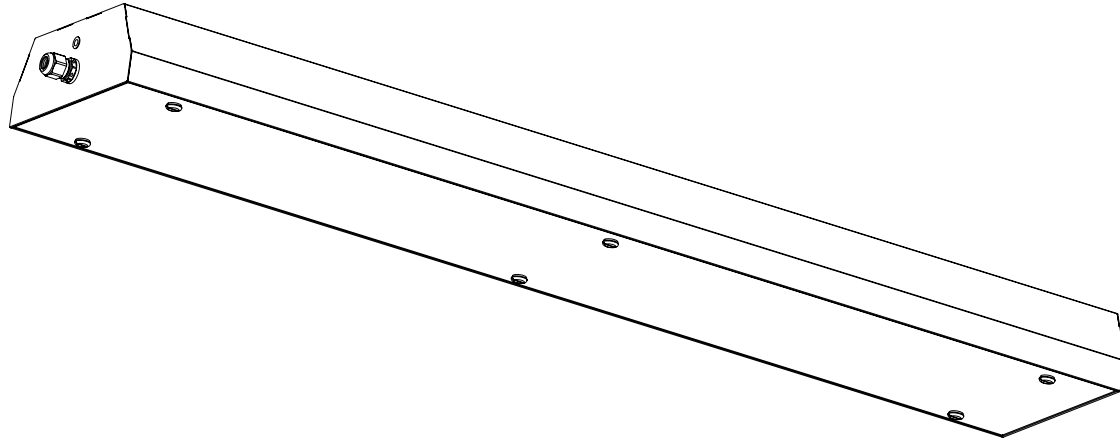


PITBUL-LED-PLUS

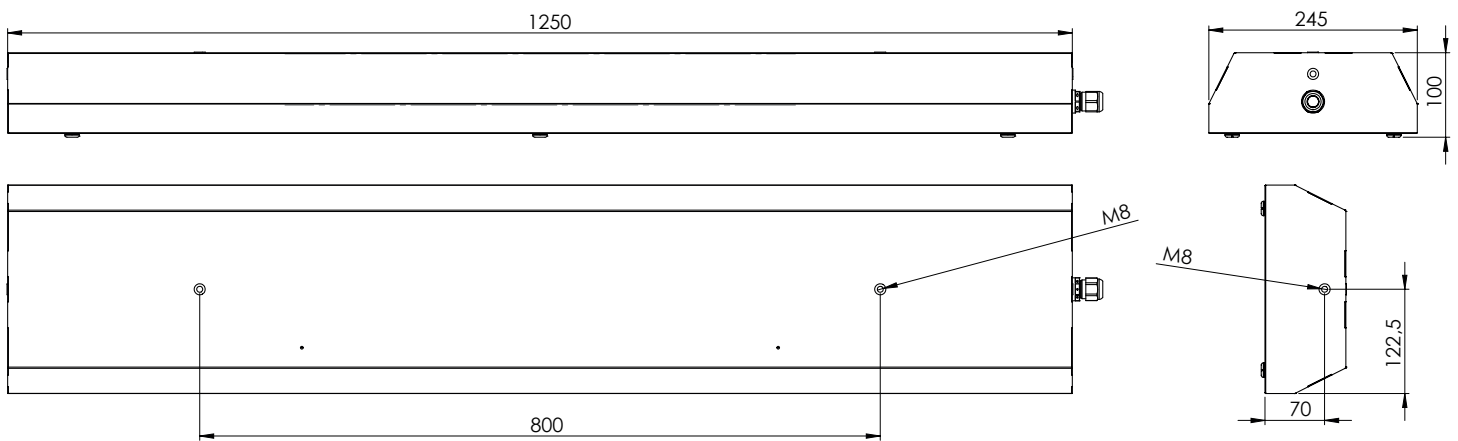
Technical conditions for luminaire installation ENG

14.06.2022/ rev.1
www.vyrtych.cz

IP66, insulation class I

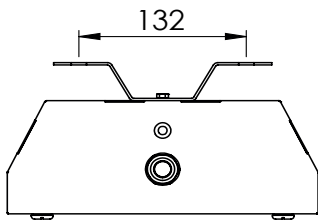


Luminaire dimensions:



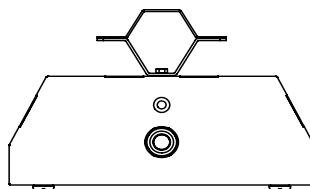
Pic.1

054935: Set of PITBUL stainless steel ceiling brackets



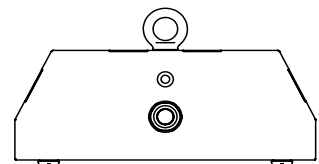
Pic.2

051146: PITBUL clip (for \varnothing 50mm)



Pic.3

004642: PITBUL suspension eye - 1 pc



Pic.4

Technical data:

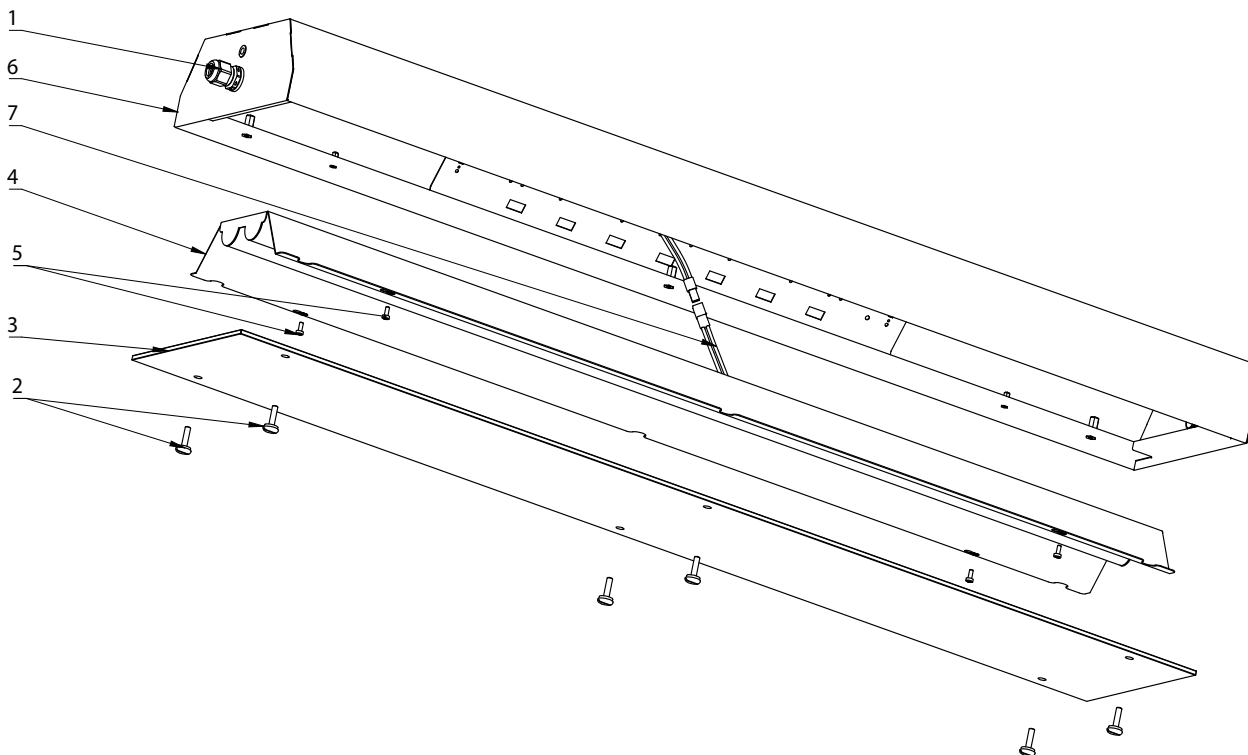
Permissible operating temperature range for the voltage 220-240V, 50/60Hz:

051895 - PITBUL-LED-PLUS-CG-4400-4K, IP66,	/26W/	-20°C to +60°C
051896 - PITBUL-LED-PLUS-OPG-4400-4K, IP66,	/26W/	-20°C to +60°C
051897 - PITBUL-LED-PLUS-CG-10000-4K, IP66	/65W/	-20°C to +60°C
051898 - PITBUL-LED-PLUS-OPG-10000-4K, IP66	/65W/	-20°C to +60°C

Rated voltage and frequency:

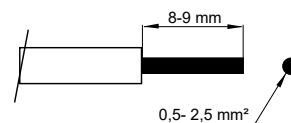
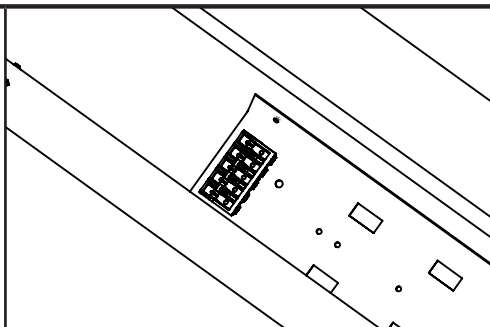
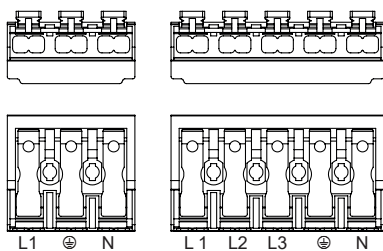
Electronic ballast:

HELVAR	220 - 240V, 50/60Hz
TCI	220 - 240V, 50/60Hz



Montáž svítidel:

1. Loosen screws (2) that secure the glass (3), remove the glass and loosen screws (5) that hold the reflector (4); after disconnecting the connector terminal (7), remove the reflector (4) from the housing (6).
2. Follow figures 2-4 according to the selected accessories.
3. Pull the power cable \varnothing 6-13 mm through the gland (1). Carefully tighten the gland (1) applying the torque of 2.5 Nm until you partially deform the rubber sealing ring.
4. Connect the power cable to the free part of the supply terminal block as follows:



Terminal	PITBUL-LED-PLUS
L1	charging phase conductor
L2	-
N	neutral wire
⊕	protective wire

*Marking of the individual terminals and the connection may differ according to the required luminaire accessories. If you have any doubts, please contact VYRTYCH a.s. technical support.

5. Connect the connector (7) (the connector must not be connected if the luminaire is connected to the mains!), insert the reflector (4) back to the luminaire and tighten the screws with washers (5) applying the torque of 2 Nm.
6. Close the glass (3) back to the luminaire base (6) and secure it with the screws (2). Ensure that the glass is correctly positioned on the perimeter seal.



The luminaire must be connected to the mains only by a person with corresponding qualification pursuant to applicable regulations on professional competence in electrical engineering.

When installing the luminaire, electrostatic discharge safety measures must be observed by using suitable tools!
Non-compliance with the installation instructions will result in a loss of the manufacturer's liability for any damage!
 The light source in this luminaire is non-replaceable.

The luminaire does not require any special maintenance. Clean a soiled luminaire with lukewarm water and detergent.



ATTENTION!!!

For wall installation of lighting fixture must be LED driver positioned facing downwards

WARNING – potential danger of electrostatic charging.

WARNING – the lighting fixture must be installed in the position, which does not allow the touch of persons and parts of the fixture.

WARNING – the lighting for fixed installation.

WARNING – the fixture should be cleaned with damp duster only. It is necessary to keep periodic cleaning intervals of lighting fixture

WARNING – do not open under voltage.

WARNING – replace protective cover



The manufacturer is engaged in the Waste from Electrical and Electronic Equipment collection system according to applicable regulations and in a packaging collection and recycling system of the EKO-KOM company (EK-F06070058).

POKYNY PRO INSTALACI

INSTALLATION INSTRUCTIONS

