



LINEAR

5 year warranty

SILICONE FREE

EXTRA-N-LED

ZONE 2/22

IP 66

Application:

LED luminaire EXTRA-N-LED, with IP66 ingress protection, is designed for lighting of areas with danger of explosion.

Ballast:

Standard: EP – electronic 220 – 240 V, 50/60 Hz, 220 – 240 V, 0 Hz DC
Non-standard: 24-48Vdc, 110-240Vac
Emergency: 220-240V 50/60Hz

Light source:

LED, 4000K, CRI +80, MacAdam3

Housing:

Plastic material PC (UV stable polycarbonate), grey colour RAL 7035

Diffuser:

PC (UV stable polycarbonate), opal

Impact resistance:

IK10 = 5kg@40cm

Ingress protection:

IP66

Fastening:

Surface ceiling or wall mounting by means of two self-locking fastening brackets (supplied)

Connection:

Screwless three-pole terminal block, maximum diameter of wires 2.5 mm². Loop in/Loop out.

Standard equipment:

1pc EX plastic cable gland M20x1.5 (as a standard for diameter of cable 7-12mm), 1 pc EX plastic plug M20x1.5, 2 pcs stainless steel fastening bracket-AISI 304, stainless clips, double cable clip for internal strain relief.

Calculated lifetime – LED modules:

L80B10 ta30 – 70 000h

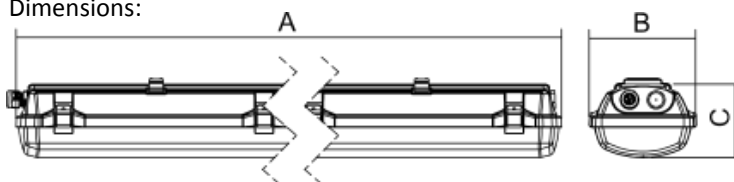
EXTRA-N-LED, MULTIEXTRA-N-LED, EXTRA-N-LED-Em CE and UKCA certification:

Ex II 3G Ex nR IIC T6 Gc

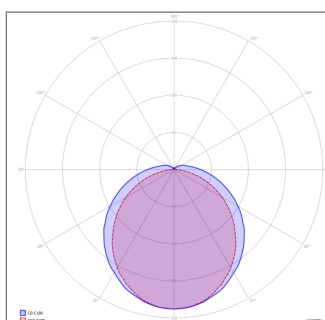
Ex II 3D Ex tc IIIC T80°C Dc, IP66



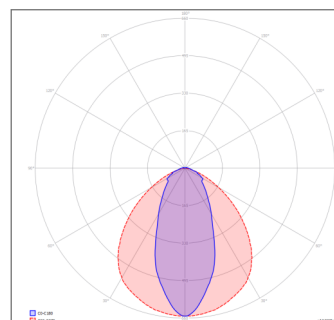
Dimensions:



No Optic:



H-Optic:



* NiCd Battery warranty—1 year only

Code number	Description	Tc (K)	Luminous flux of the luminaire (lm)	Lm/W	AmbT	A (mm)	B (mm)	C (mm)	Mounting centres (mm)	Power input (W)	Weight (kg)	MCB (Type B10)
Standard luminaires												
55661	EXTRA-N-LED-2500-218-G2-4K, IP66	4000	2,251	150	-20°C to +60°C	670	155	105	460	15	2.0	23
55662	EXTRA-N-LED-5000-218-G2-4K, IP66	4000	4,357	150	-20°C to +55°C	670	155	105	460	29	2.2	23
55664	EXTRA-N-LED-5000-236-G2-4K, IP66	4000	4,503	155	-20°C to +60°C	1280	155	105	880	29	3.4	23
55665	EXTRA-N-LED-10000-236-G2-4K, IP66	4000	8,715	150	-20°C to +40°C	1280	155	105	880	58	3.7	18
55667	EXTRA-N-LED-7500-258-G2-4K, IP66	4000	7,238	154	-20°C to +55°C	1580	155	105	1000	47	3.7	18
55668	EXTRA-N-LED-12550-258-G2-4K, IP66	4000	11,172	151	-20°C to +45°C	1580	155	105	1000	74	4.2	18
55668-H	EXTRA-N-LED-H-12550-258-G2-4K, IP66 (Deep radiant optic)	4000	11,303	153	-20°C to +45°C	1580	155	105	1000	74	4.2	18
55669	EXTRA-N-LED-16700-258-G2-4K, IP66	4000	13,730	146	-20°C to +40°C	1580	155	105	1000	94	4.2	9
55669-H	EXTRA-N-LED-H-16700-258-G2-4K, IP66 (Deep radiant optic)	4000	14,960	159	-20°C to +40°C	1580	155	105	1000	94	4.2	9
55670	EXTRA-N-LED-20000-258-G2-4K, IP66	4000	16,311	142	-20°C to +40°C	1580	155	105	1000	115	4.2	9
55670-H	EXTRA-N-LED-H-20000-258-G2-4K, IP66 (Deep radiant optic)	4000	17,903	156	-20°C to +40°C	1580	155	105	1000	115	4.2	9
Standard luminaires with DALI driver												
55672	EXTRA-N-LED-2500-218-G2-4K, IP66, DALI	4000	2,251	150	-20°C to +60°C	670	155	105	460	15	2.0	23
55673	EXTRA-N-LED-5000-218-G2-4K, IP66, DALI	4000	4,357	150	-20°C to +55°C	670	155	105	460	29	2.2	23
55675	EXTRA-N-LED-5000-236-G2-4K, IP66, DALI	4000	4,503	155	-20°C to +60°C	1280	155	105	880	29	3.4	23
55676	EXTRA-N-LED-10000-236-G2-4K, IP66, DALI	4000	8,715	150	-20°C to +40°C	1280	155	105	880	58	3.7	18
55678	EXTRA-N-LED-7500-258-G2-4K, IP66, DALI	4000	7,238	154	-20°C to +55°C	1580	155	105	1000	47	3.7	18
55679	EXTRA-N-LED-12550-258-G2-4K, IP66, DALI	4000	11,172	151	-20°C to +45°C	1580	155	105	1000	74	4.2	18
55679-H	EXTRA-N-LED-H-12550-258-G2-4K, IP66, DALI (Deep radiant optic)	4000	11,303	153	-20°C to +45°C	1580	155	105	1000	74	4.2	18
55680	EXTRA-N-LED-16700-258-G2-4K, IP66, DALI	4000	13,730	146	-20°C to +40°C	1580	155	105	1000	94	4.2	9
55680-H	EXTRA-N-LED-H-16700-258-G2-4K, IP66, DALI (Deep radiant optic)	4000	14,960	159	-20°C to +40°C	1580	155	105	1000	94	4.2	9
55681	EXTRA-N-LED-20000-258-G2-4K, IP66, DALI	4000	16,311	142	-20°C to +40°C	1580	155	105	1000	115	4.2	9
55681-H	EXTRA-N-LED-H-20000-258-G2-4K, IP66, DALI (Deep radiant optic)	4000	17,903	156	-20°C to +40°C	1580	155	105	1000	115	4.2	9
Emergency luminaires												
55696	MULTIEXTRA-N-LED-2500-218-G2-4K, IP66, 3h	4000	2,251 /491	150	0°C to +35°C	670	155	105	460	15	2.2	23
55698	MULTIEXTRA-N-LED-5000-236-G2-4K, IP66, 3h	4000	4,503 /491	155	0°C to +40°C	1280	155	105	880	29	2.7	23
55701LO	MULTIEXTRA-N-LED-10000-258-G2-4K, IP66, 3h (5ft body)	4000	8,715 /491	150	0°C to +35°C	1580	155	105	1000	58	4.6	18
55700	MULTIEXTRA-N-LED-7500-258-G2-4K, IP66, 3h	4000	7,238 /491	154	0°C to +40°C	1580	155	105	1000	47	4.4	18
55701	MULTIEXTRA-N-LED-12550-258-G2-4K, IP66, 3h	4000	11,172 /491	151	0°C to +35°C	1580	155	105	1000	74	4.6	18
55701-H	MULTIEXTRA-N-LED-H-12550-258-G2-4K, IP66, 3h (Deep radiant optic)	4000	11,303 /491	153	0°C to +35°C	1580	155	105	1000	74	4.6	18
55685	EXTRA-N-LED-Em-500-218-G2-4K, IP66, 3h	4000	491	-	0°C to +50°C	670	155	105	460	0	2.1	30
55686	EXTRA-N-LED-Em-500-236-G2-4K, IP66, 3h	4000	491	-	0°C to +50°C	1280	155	105	880	0	3.0	30
55687	EXTRA-N-LED-Em-500-258-G2-4K, IP66, 3h	4000	491	-	0°C to +50°C	1580	155	105	1000	0	3.9	30
55687-H	EXTRA-N-LED-H-Em-500-258-G2-4K, IP66, 3h (Deep radiant optic)	4000	491	-	0°C to +50°C	1580	155	105	1000	0	3.9	30
Emergency luminaires with DALI inverter and DALI driver												
55672-EMPRO	MULTIEXTRA-N-LED-2500-218-G2-4K, IP66, 3h, DALI+EMPRO	4000	2,251 /491	150	0°C to +35°C	670	155	105	460	15	2.2	23
55675-EMPRO	MULTIEXTRA-N-LED-5000-236-G2-4K, IP66, 3h, DALI+EMPRO	4000	4,503 /491	155	0°C to +40°C	1280	155	105	880	29	2.7	23
55679LO-EMPRO	MULTIEXTRA-N-LED-10000-258-G2-4K, IP66, 3h, DALI+EMPRO (5ft body)	4000	8,715 /491	150	0°C to +35°C	1580	155	105	1000	58	4.6	18
55678-EMPRO	MULTIEXTRA-N-LED-7500-258-G2-4K, IP66, 3h, DALI+EMPRO	4000	7,238 /491	154	0°C to +40°C	1580	155	105	1000	47	4.4	18
55679-EMPRO	MULTIEXTRA-N-LED-12550-258-G2-4K, IP66, 3h, DALI+EMPRO	4000	11,172 /491	151	0°C to +35°C	1580	155	105	1000	74	4.6	18
55679-EMPRO-H	MULTIEXTRA-N-LED-H-12550-258-G2-4K, IP66, 3h, DALI+EMPRO (Deep radiant optic)	4000	11,303 /491	153	0°C to +35°C	1580	155	105	1000	74	4.6	18
55685-EMPRO*	EXTRA-N-LED-Em-500-218-G2-4K, IP66, 3h, EMPRO	4000	491	-	0°C to +50°C	670	155	105	460	0	2.1	30
55686-EMPRO*	EXTRA-N-LED-Em-500-236-G2-4K, IP66, 3h, EMPRO	4000	491	-	0°C to +50°C	1280	155	105	880	0	3.0	30
55687-EMPRO*	EXTRA-N-LED-Em-500-258-G2-4K, IP66, 3h, EMPRO	4000	491	-	0°C to +50°C	1580	155	105	1000	0	3.9	30
55687-EMPRO-H*	EXTRA-N-LED-H-Em-500-258-G2-4K, IP66, 3h, EMPRO (Deep radiant optic)	4000	491	-	0°C to +50°C	1580	155	105	1000	0	3.9	30

* Non-maintained emergency (DALI inverter only)

Emergency luminaires with Auto-Test (DALI Auto-Test inverter used)

55696-EMPRO	MULTIEXTRA-N-LED-2500-218-G2-4K, IP66, 3h, EMPRO	4000	2,251 /491	150	0°C to +35°C	670	155	105	460	15	2.2	23
55698-EMPRO	MULTIEXTRA-N-LED-5000-236-G2-4K, IP66, 3h, EMPRO	4000	4,503 /491	155	0°C to +40°C	1280	155	105	880	29	2.7	23
55701LO-EMPRO	MULTIEXTRA-N-LED-10000-258-G2-4K, IP66, 3h, EMPRO (5ft body)	4000	8,715 /491	150	0°C to +35°C	1580	155	105	1000	58	4.6	18
55700-EMPRO	MULTIEXTRA-N-LED-7500-258-G2-4K, IP66, 3h, EMPRO	4000	7,238 /491	154	0°C to +40°C	1580	155	105	1000	47	4.4	18
55701-EMPRO	MULTIEXTRA-N-LED-12550-258-G2-4K, IP66, 3h, EMPRO	4000	11,172 /491	151	0°C to +35°C	1580	155	105	1000	74	4.6	18
55701-EMPRO-H	MULTIEXTRA-N-LED-H-12550-258-G2-4K, IP66, 3h, EMPRO (Deep radiant optic)	4000	11,303 /491	153	0°C to +35°C	1580	155	105	1000	74	4.6	18
55685-EMPRO	EXTRA-N-LED-Em-500-218-G2-4K, IP66, 3h, EMPRO	4000	491	-	0°C to +50°C	670	155	105	460	0	2.1	30
55686-EMPRO	EXTRA-N-LED-Em-500-236-G2-4K, IP66, 3h, EMPRO	4000	491	-	0°C to +50°C	1280	155	105	880	0	3.0	30
55687-EMPRO	EXTRA-N-LED-Em-500-258-G2-4K, IP66, 3h, EMPRO	4000	491	-	0°C to +50°C	1580	155	105	1000	0	3.9	30
55687-EMPRO-H	EXTRA-N-LED-H-Em-500-258-G2-4K, IP66, 3h, EMPRO (Deep radiant optic)	4000	491	-	0°C to +50°C	1580	155	105	1000	0	3.9	30

Standard luminaires with integral 5m ON/OFF Microwave sensor

55672-MWS	EXTRA-N-LED-2500-218-G2-4K, IP66, 5m ON/OFF MWS	4000	2,251	150	-20°C to +60°C	670	155	105	460	15	2.0	23
55673-MWS	EXTRA-N-LED-5000-218-G2-4K, IP66, 5m ON/OFF MWS	4000	4,357	150	-20°C to +55°C	670	155	105	460	29	2.2	23
55675-MWS	EXTRA-N-LED-5000-236-G2-4K, IP66, 5m ON/OFF MWS	4000	4,503	155	-20°C to +60°C	1280	155	105	880	29	3.4	23
55676-MWS	EXTRA-N-LED-10000-236-G2-4K, IP66, 5m ON/OFF MWS	4000	8,715	150	-20°C to +40°C	1280	155	105	880	58	3.7	18
55678-MWS	EXTRA-N-LED-7500-258-G2-4K, IP66, 5m ON/OFF MWS	4000	7,238	154	-20°C to +55°C	1580	155	105	1000	47	3.7	18
55679-MWS	EXTRA-N-LED-12550-258-G2-4K, IP66, 5m ON/OFF MWS	4000	11,172	151	-20°C to +45°C	1580	155	105	1000	74	4.2	18
55679-H_MWS	EXTRA-N-LED-H-12550-258-G2-4K, IP66, 5m ON/OFF MWS (Deep radiant optic)	4000	11,303	153	-20°C to +45°C	1580	155	105	1000	74	4.2	18
55680-MWS	EXTRA-N-LED-16700-258-G2-4K, IP66, 5m ON/OFF MWS	4000	13,730	146	-20°C to +40°C	1580	155	105	1000	94	4.2	9
55680-H_MWS	EXTRA-N-LED-H-16700-258-G2-4K, IP66, 5m ON/OFF MWS (Deep radiant optic)	4000	14,960	159	-20°C to +40°C	1580	155	105	1000	94	4.2	9
55681-MWS	EXTRA-N-LED-20000-258-G2-4K, IP66, 5m ON/OFF MWS	4000	16,311	142	-20°C to +40°C	1580	155	105	1000	115	4.2	9
55681-H_MWS	EXTRA-N-LED-H-20000-258-G2-4K, IP66, 5m ON/OFF MWS (Deep radiant optic)	4000	17,903	156	-20°C to +40°C	1580	155	105	1000	115	4.2	9

Emergency luminaires with integral 5m ON/OFF Microwave sensor

55696-MWS	MULTIEXTRA-N-LED-2500-218-G2-4K, IP66, 3h, 5m ON/OFF MWS	4000	2,251 /491	150	0°C to +35°C	670	155	105	460	15	2.2	23
55698-MWS	MULTIEXTRA-N-LED-5000-236-G2-4K, IP66, 3h, 5m ON/OFF MWS	4000	4,503 /491	155	0°C to +40°C	1280	155	105	880	29	2.7	23
55701LO-MWS	MULTIEXTRA-N-LED-10000-258-G2-4K, IP66, 3h, 5m ON/OFF MWS (5ft body)	4000	8,715 /491	150	0°C to +35°C	1580	155	105	1000	58	4.6	18
55700-MWS	MULTIEXTRA-N-LED-7500-258-G2-4K, IP66, 3h, 5m ON/OFF MWS	4000	7,238 /491	154	0°C to +40°C	1580	155	105	1000	47	4.4	18
55701-MWS	MULTIEXTRA-N-LED-12550-258-G2-4K, IP66, 3h, 5m ON/OFF MWS	4000	11,172 /491	151	0°C to +35°C	1580	155	105	1000	74	4.6	18
55701-H_MWS	MULTIEXTRA-N-LED-H-12550-258-G2-4K, IP66, 3h, 5m ON/OFF MWS (Deep radiant optic)	4000	11,303 /491	153	0°C to +35°C	1580	155	105	1000	74	4.6	18

Standard luminaires with wireless BT-mesh control module

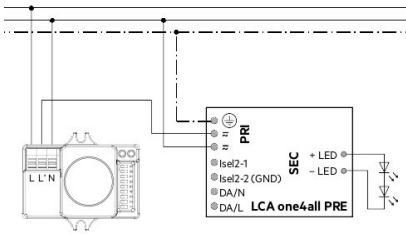
55672-BT	EXTRA-N-LED-2500-218-G2-4K, IP66, BT-Mesh	4000	2,251	150	-20°C to +60°C	670	155	105	460	15	2.0	23
55673-BT	EXTRA-N-LED-5000-218-G2-4K, IP66, BT-Mesh	4000	4,357	150	-20°C to +55°C	670	155	105	460	29	2.2	23
55675-BT	EXTRA-N-LED-5000-236-G2-4K, IP66, BT-Mesh	4000	4,503	155	-20°C to +60°C	1280	155	105	880	29	3.4	23
55676-BT	EXTRA-N-LED-10000-236-G2-4K, IP66, BT-Mesh	4000	8,715	150	-20°C to +40°C	1280	155	105	880	58	3.7	18
55678-BT	EXTRA-N-LED-7500-258-G2-4K, IP66, BT-Mesh	4000	7,238	154	-20°C to +55°C	1580	155	105	1000	47	3.7	18
55679-BT	EXTRA-N-LED-12550-258-G2-4K, IP66, BT-Mesh	4000	11,172	151	-20°C to +45°C	1580	155	105	1000	74	4.2	18
55679-H_BT	EXTRA-N-LED-H-12550-258-G2-4K, IP66, BT-Mesh (Deep radiant optic)	4000	11,303	153	-20°C to +45°C	1580	155	105	1000	74	4.2	18
55680-BT	EXTRA-N-LED-16700-258-G2-4K, IP66, BT-Mesh	4000	13,730	146	-20°C to +40°C	1580	155	105	1000	94	4.2	9
55680-H_BT	EXTRA-N-LED-H-16700-258-G2-4K, IP66, BT-Mesh (Deep radiant optic)	4000	14,960	159	-20°C to +40°C	1580	155	105	1000	94	4.2	9
55681-BT	EXTRA-N-LED-20000-258-G2-4K, IP66, BT-Mesh	4000	16,311	142	-20°C to +40°C	1580	155	105	1000	115	4.2	9
55681-H_BT	EXTRA-N-LED-H-20000-258-G2-4K, IP66, BT-Mesh (Deep radiant optic)	4000	17,903	156	-20°C to +40°C	1580	155	105	1000	115	4.2	9

Emergency luminaires with wireless BT-mesh control module

55696-D_EMPRO_BT	MULTIEXTRA-N-LED-2500-218-G2-4K, IP66, 3h, BT-Mesh	4000	2,251 /491	150	0°C to +35°C	670	155	105	460	15	2.2	23
55698-D_EMPRO_BT	MULTIEXTRA-N-LED-5000-236-G2-4K, IP66, 3h, BT-Mesh	4000	4,503 /491	155	0°C to +40°C	1280	155	105	880	29	2.7	23
55701LO-D_EMPRO_BT	MULTIEXTRA-N-LED-10000-258-G2-4K, IP66, 3h, BT-Mesh (5ft body)	4000	8,715 /491	150	0°C to +35°C	1580	155	105	1000	58	4.6	18
55700-D_EMPRO_BT	MULTIEXTRA-N-LED-7500-258-G2-4K, IP66, 3h, BT-Mesh	4000	7,238 /491	154	0°C to +40°C	1580	155	105	1000	47	4.4	18
55701-D_EMPRO_BT	MULTIEXTRA-N-LED-12550-258-G2-4K, IP66, 3h, BT-Mesh	4000	11,172 /491	151	0°C to +35°C	1580	155	105	1000	74	4.6	18
55701-D_EMPRO-H_BT	MULTIEXTRA-N-LED-H-12550-258-G2-4K, IP66, 3h, BT-Mesh (Deep radiant optic)	4000	11,303 /491	153	0°C to +35°C	1580	155	105	1000	74	4.6	18

Feature Spotlight

Zone 2 Lighting with integrated Microwave sensor

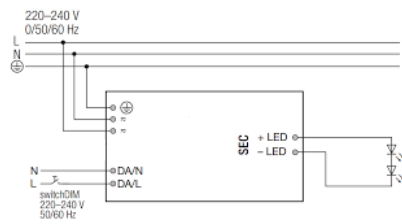


The luminaires can be fitted with an integral microwave ON/OFF sensor. The standard version is suitable for mounting heights of up to 5m. The high output EXTRA fittings and the fittings with H-optics can be supplied with a re-inforced sensor for mounting heights of up to 12m.

When used in combination with a DALI driver, the luminaires can also be programmed to operate in corridorFUNCTION mode (see below).

For more information contact STL.

Zone 2 switchDIM



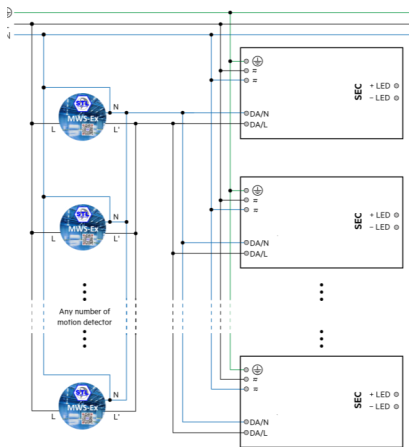
Connecting live and neutral to the DALI control terminals D1 and D2 via a push-to-make switch (momentary switch) offers the possibility to control the dimming level and the on/off function without any digital devices.

With a short push you switch the light ON and OFF. If you push and hold it is possible to dim the LEDs throughout the full dimming range of the ballasts (1% up to 100%).

The wiring for switchDIM can be simplified to Live, Switched Live, Neutral and Earth (identical to emergency circuits) and can be applied to standard luminaires as well as emergency luminaires.

For more information visit <https://stl-int.uk/downloads/>

Zone 2 corridorFUNCTION



The corridorFUNCTION enables the illuminance to be linked to the presence or absence of people. A conventional relay motion sensor and/or pushbutton is connected.

The luminous intensity is increased when a person enters the detection area. When the person leaves the area the motion sensor switches off and after a certain delay the luminous intensity is automatically reduced.

When using a pushbutton, the corridorFUNCTION effectively acts like an off-delay timer. The corridorFUNCTION is particularly beneficial in applications in which light is needed around the clock for safety reasons. Since the luminous intensity only has to be increased when there is a demand for light, the corridorFUNCTION offers effective lighting management and helps saving energy and costs.

Another benefit of the corridorFUNCTION is the enhanced convenience of automatic lighting control and can be combined with a photocell.

For more information visit <https://stl-int.uk/downloads/>

Zone 2 Safety Shower Option



- Green coated diffuser to easily locate safety showers on site
- Coating on the inside only to protect against the environment

Typically used in combination with 3h emergency luminaires—Add *G after the code Other colours are available, contact STL for more information.